

FORWARD FAMILY UPS BASE

Never mount a UPS again.

Get the Forward UPS base to ensure your system has the backup battery power it needs while you enjoy serious labor savings.

FEATURES

- Save critical equipment and labor at the same time - No need to rackmount a UPS again!
- Front and Rear perforated locking access panels for security while maintaining visibility of the UPS
- Easily bolts to BGR Family rack using threaded Rivnut inserts
- Comes to you with a NEXSYS UPX-1500R-2 or UPX-2000R-2 pre-installed from our factory ready to be integrated
- NEXSYS™ UPS Features:
 - EnergyStar Certified
 - 8 Outlets with Bank Control - (2) outlet banks with 4 outlets each
 - Pure Sine Wave output and AVR (automatic voltage regulation) providing the cleanest power to your connected equipment, especially the most sensitive equipment
 - Add RackLink™ Remote Management

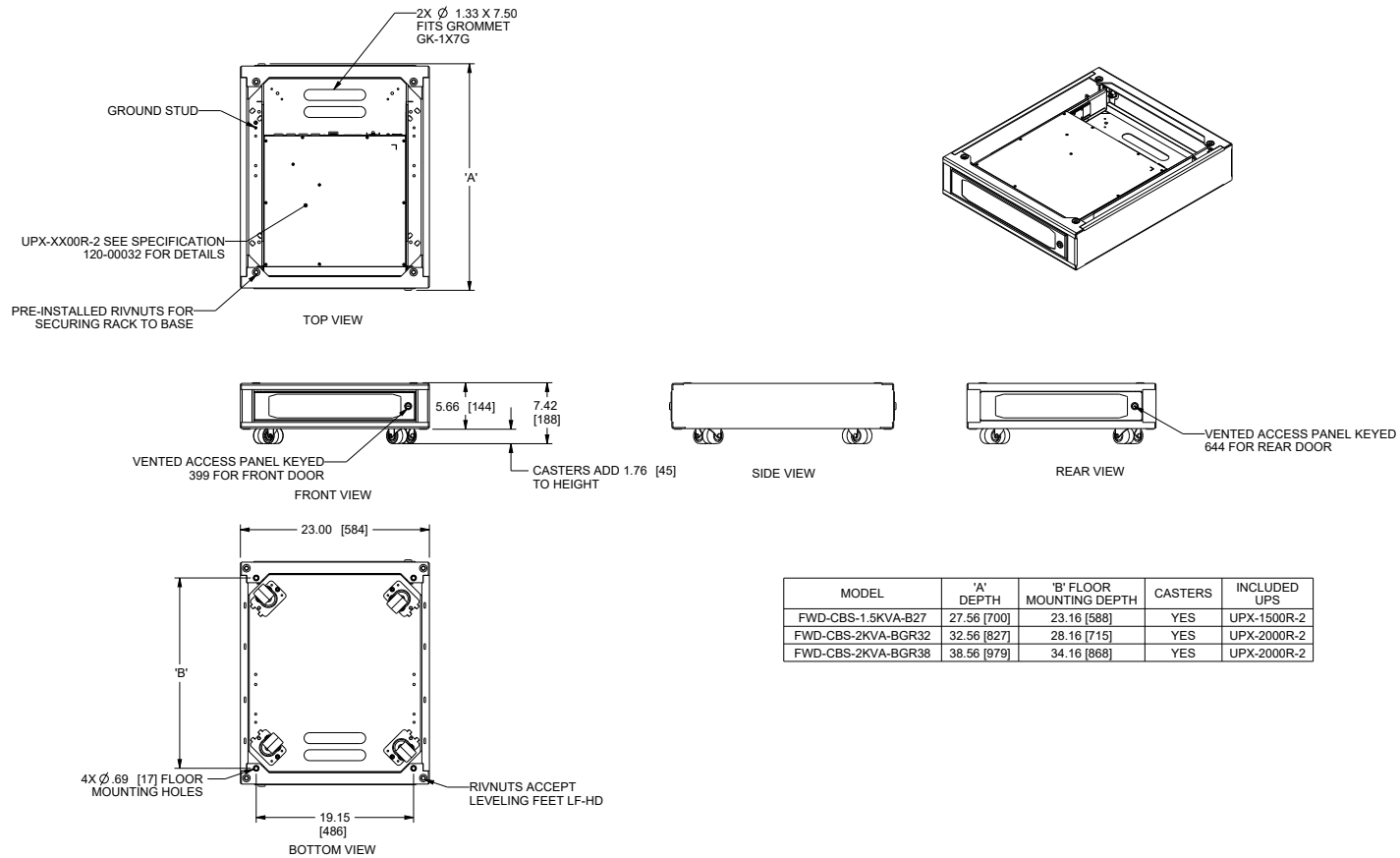


SPECIFICATIONS

Forward Family UPS Base shall be Middle Atlantic Products model # FWD-CBS-___ (refer to chart). Forward Family UPS base shall be available as a caster base and include keylocked front and rear vented doors. Forward Family UPS base be ___" H x 23" W x ___" D, have a weight capacity of 1,038 lbs., and be compatible with BGR Family, refer to drawing for compatibility. Forward Family UPS base shall raise total rack height ___" (refer to drawing.) Forward Family UPS base shall include Middle Atlantic Products model # UPX-XXXXR-2 Uninterruptible power supply. UPX-XXXXR-2 shall be line interactive with AVR. UPX-XXXXR-2 shall operate on 120 VAC/60Hz current. UPX-XXXXR-2 shall have a nominal output of 120V. Unit shall have a capacity of 2,150 VA and 1,650 W. UPX-XXXXR-2 shall have (8) NEMA 5-20R receptacles on the rear of the unit. UPX-XXXXR-2 shall have a priority outlet bank consisting of 4 outlets dedicated to ensure maximum run time of critical components. UPX-XXXXR-2 shall have a non-critical outlet bank consisting of 4 outlets dedicated to load shedding. UPX-XXXXR-2 shall be IP enabled when used with optional RackLink card, model# UPX-RLNK-CARD. UPX-XXXXR-2 shall include a 6' SignalSAFE™ power cord with NEMA 5-___P plug. UPX-XXXXR-2 shall have surge suppression that utilizes a clean line-to-neutral design that does not pass noise contamination to ground. UPX-XXXXR-2 shall have a hot swappable battery that allows for a 13 minute run time at half load and a 6 minute run time at full load. UPX-XXXXR-2 shall utilize Middle Atlantic Power Manager™ software. UPX-XXXXR-2 shall be warrantied to be free from defects in materials and workmanship under normal use and conditions for a period of 3 years; battery shall be warrantied for a period of 2 years. Forward Family UPS base shall be RoHS EU Directive 2002/95/ EC compliant. Forward Family UPS base shall be constructed of 11-gauge steel. Caster base shall be finished in a durable textured black powder coat. Forward Family UPS Base sheetmetal shall be warrantied to be free from defects in material or workmanship under normal use and conditions for the lifetime of the unit; casters shall be warrantied for a period of 7 years.

FORWARD FAMILY UPS BASE

BASIC DIMENSIONS



LEGRAND | AV COMMERCIAL BRANDS
C2G | Chief | Da-Lite | Luxul | Middle Atlantic | Vaddio | Wiremold

WHAT GREAT SYSTEMS ARE BUILT ON™ | legrandav.com

USA 800.266.7225 av.middleatlantic.support@legrand.com CANADA 888.766.9770 av.middleatlantic.support@legrand.com

©2023 Legrand AV Inc. 120_00003 Rev B 3/23 Middle Atlantic is a registered trademark of Legrand AV Inc. All other brand names or marks are used for identification purposes and are trademarks of their respective owners. All patents are protected under existing designations. Other patents pending.